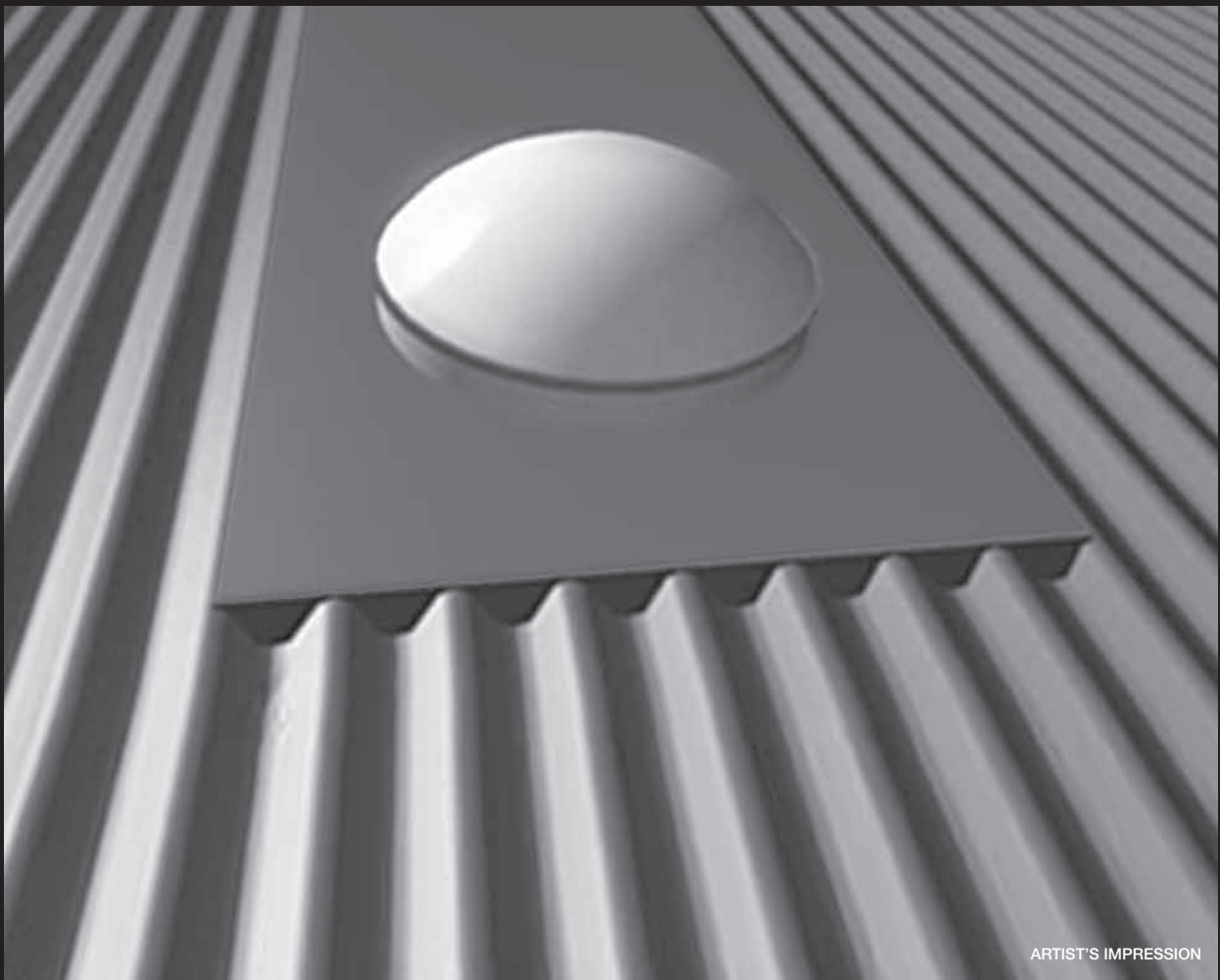


# **lumino**<sup>TM</sup>

**Bring natural light into your home or office  
with the Lumino<sup>TM</sup> Tubular Skylight.**



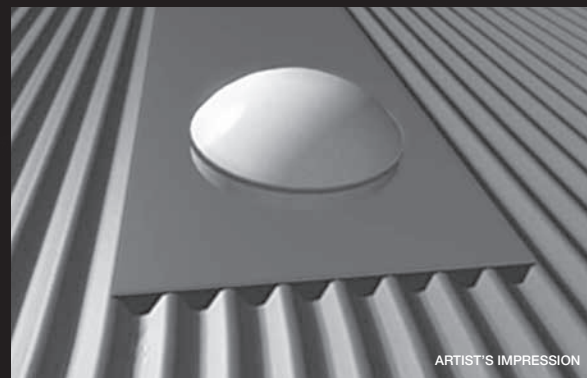
[www.alsynite.co.nz](http://www.alsynite.co.nz)  
0800 257 964

**ALSYNITE**<sup>®</sup>

# Lumino™

Easily installed by a home handy-person; the Lumino™ Tubular Skylight comes with everything you need to bring natural light directly into your home.

The Lumino™ has a 300mm diameter acrylic dome and comes with everything you need for installation. It is suitable for installing onto almost any type of roof, including tile and steel, at a pitch of 45 degrees or less. It is also supported by a 7 year warranty\*.



## Components:

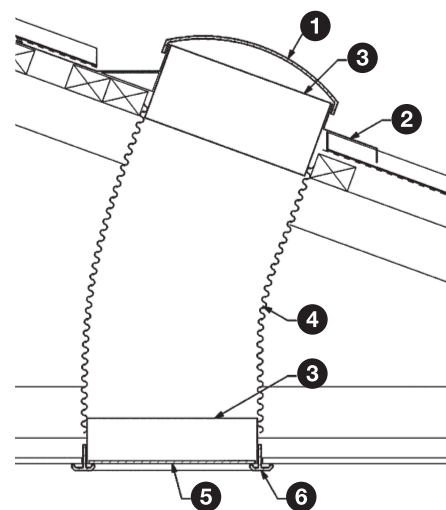
- › 1x Soft aluminium roof flashing with acrylic dome and reflective stainless steel collar attached.
- › 1x Additional reflective stainless steel collar.
- › 1x Reflective flexible spiral tubing.
- › 1x Clear acrylic prismatic light diffuser.
- › 1x White ceiling frame.
- › 1x 10m roll of duct tape.
- › 4x M45mm x 4.5mm screws.
- › 2x M8mm x 20mm screws.
- › 2x 3mm dia rivets
- › 4x White screw caps.
- › 4x White rectangle lugs.

The Lumino also comes with easy to follow, step by step installation instructions.

[www.alsynite.co.nz](http://www.alsynite.co.nz)  
0800 257 964

Lumino™ is a Trademark of Alsynite NZ Ltd.

## Specifications:



- ① Durable and UV stable Acrylic Dome.
- ② 600mm x 550mm x 0.7mm soft aluminium roof flashing.
- ③ 0.5mm a reflective stainless steel collars.
- ④ 300mm diameter reflective flexible spiral tubing.
- ⑤ 3mm thick clear acrylic prismatic light diffuser.
- ⑥ White ceiling frame.

**ALSYNITE**®