



15 YEAR
Full
Replacement

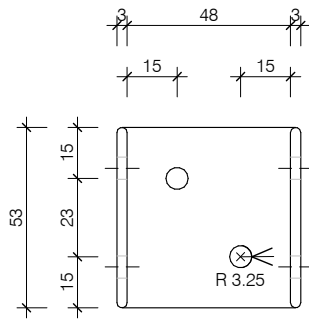
ClearVue Roofing System

Components, Installation & Maintenance Manual



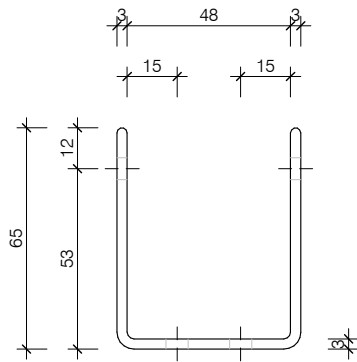
Design, Span Table & Technical Manual also available

ClearVue Roofing System Components



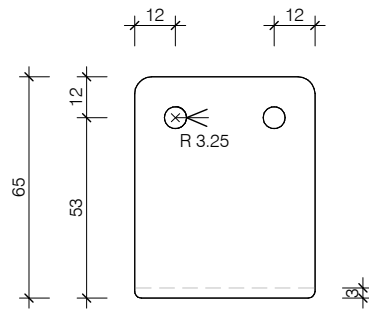
CV-RB-1P 54 PLAN

PSP RAFTER BRACKET - 3mm T316 STAINLESS STEEL WITH PSP FIXING SCREWS



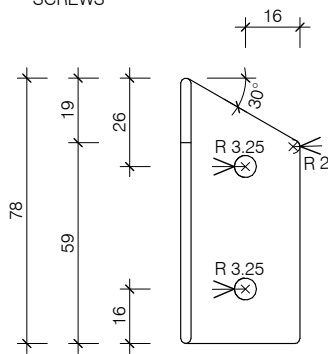
CV-RB-1P 54 ELEVATION

PSP RAFTER BRACKET - 3mm T316 STAINLESS STEEL WITH PSP FIXING SCREWS



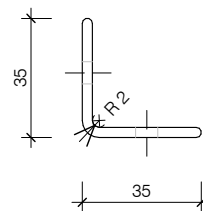
CV-RB-1P 53 ELEVATION

PSP RAFTER BRACKET - 3mm T316 STAINLESS STEEL WITH PSP FIXING SCREWS



CV-RB-2P 35 ELEVATION

PSP TWO PIECE RAFTER BRACKET - 3mm T316 STAINLESS STEEL WITH PSP FIXING SCREWS



CV-RB-2P 35 PLAN

PSP TWO PIECE RAFTER BRACKET - 3mm T316 STAINLESS STEEL WITH PSP FIXING SCREWS

NOTE: Recommended roof pitch 5°. Minimum roof pitch of 3°, consult your PSP agent for suitable applications.

NOTE: All dimensions are in millimeters (mm)

ClearVue

CLEARVUE RAFTER BRACKETS

320 Rosedale Road, Albany, Auckland, New Zealand
 PO Box 101 851 NSMC, New Zealand
 Note: Details may be subject to change without notification

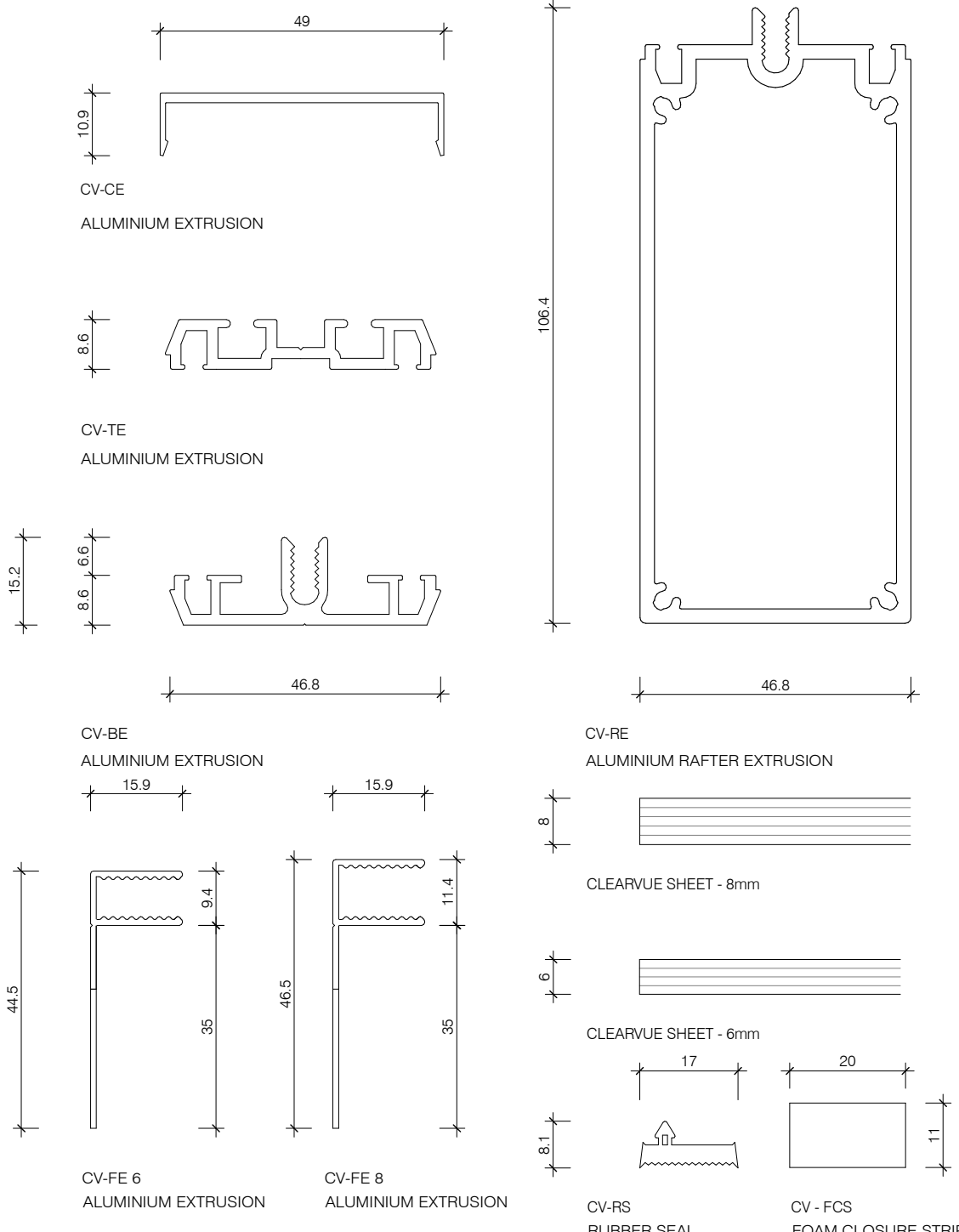
T.09 415 2800
 F.09 415 2809
 www.psp.co.nz

ClearVue roofing system to be installed and fixed to suitable structural support, complying with relevant clauses of the NZBC and the New Zealand Building Act.

Scale: 1 : 2 @ A4

Date: 27/05/14

Dwg: CV-02



NOTE: Recommended roof pitch 5°. Minimum roof pitch of 3°, consult your PSP agent for suitable applications.

NOTE: All dimensions are in millimeters (mm)

ClearVue CLEARVUE EXTRUSIONS

320 Rosedale Road, Albany, Auckland, New Zealand
PO Box 101 851 NSMC, New Zealand
Note: Details may be subject to change without notification

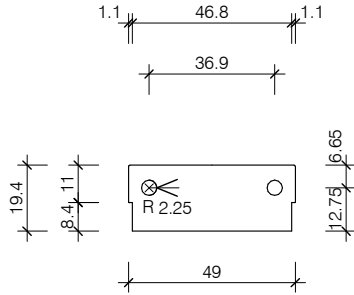
T.09 415 2800
F.09 415 2809
www.psp.co.nz

ClearVue roofing system to be installed and fixed to suitable structural support, complying with relevant clauses of the NZBC and the New Zealand Building Act.

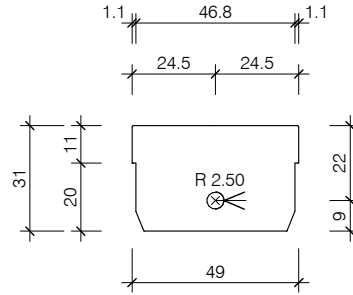
Scale: 1 : 1 @ A4
Date: 27/05/14
Dwg: **CV-03**

END PLATE FIXINGS

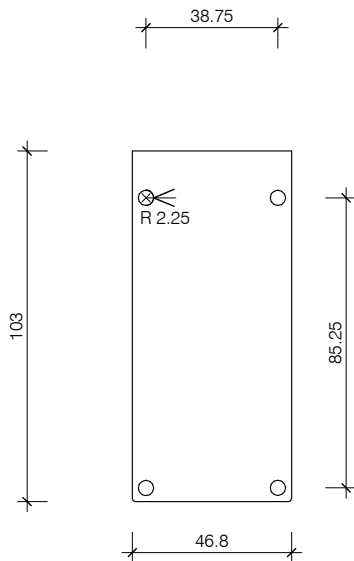
ALL END PLATES SUPPLIED WITH THE REQUIRED END PLATE FIXING SCREWS ILLUSTRATED ON SHEET CV-06-MECHANICAL FIXINGS



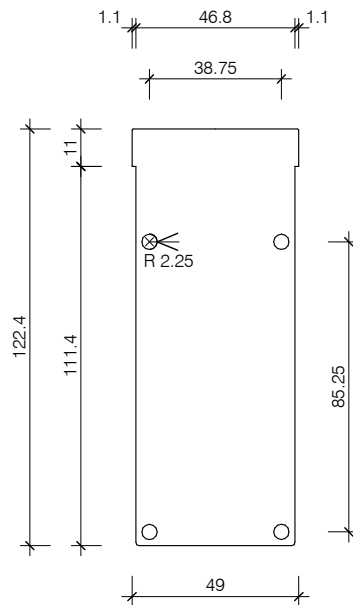
CV-EP6-01
END PLATE



CV-EP6-02
END PLATE



CV-EP-03
END PLATE



CV-EP6-04
END PLATE

NOTE: Recommended roof pitch 5°. Minimum roof pitch of 3°, consult your PSP agent for suitable applications.

NOTE: All dimensions are in millimeters (mm)

ClearVue

END PLATES - 6mm SHEET

320 Rosedale Road, Albany, Auckland, New Zealand
PO Box 101 851 NSMC, New Zealand
Note: Details may be subject to change without notification

T.09 415 2800
F.09 415 2809
www.psp.co.nz

ClearVue roofing system to be installed and fixed to suitable structural support, complying with relevant clauses of the NZBC and the New Zealand Building Act.

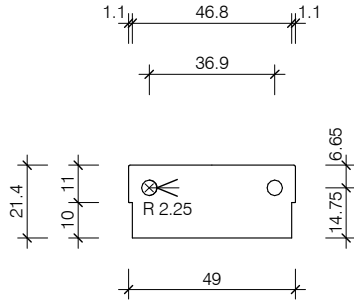
Scale: **As indicated**

Date: 27/05/14

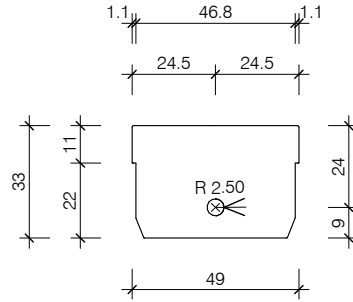
Dwg: **CV-04**

END PLATE FIXINGS

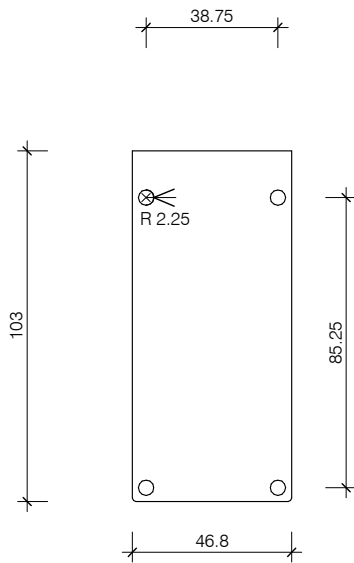
ALL END PLATES SUPPLIED WITH THE REQUIRED END PLATE FIXING SCREWS ILLUSTRATED ON SHEET CV-06-MECHANICAL FIXINGS



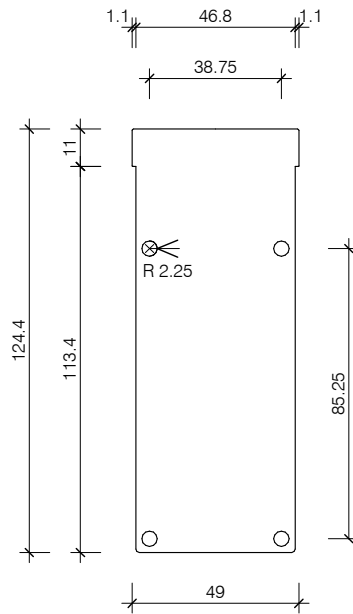
CV-EP8-01
END PLATE



CV-EP8-02
END PLATE



CV-EP-03
END PLATE



CV-EP8-04
END PLATE

NOTE: Recommended roof pitch 5°. Minimum roof pitch of 3°, consult your PSP agent for suitable applications.

NOTE: All dimensions are in millimeters (mm)

ClearVue

END PLATES - 8mm SHEET

320 Rosedale Road, Albany, Auckland, New Zealand
PO Box 101 851 NSMC, New Zealand
Note: Details may be subject to change without notification

T.09 415 2800
F.09 415 2809
www.psp.co.nz

ClearVue roofing system to be installed and fixed to suitable structural support, complying with relevant clauses of the NZBC and the New Zealand Building Act.

Scale: **As indicated**

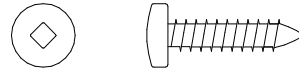
Date: 27/05/14

Dwg: **CV-05**



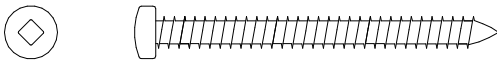
CV-F01

6g SQUARE DRIVE STAINLESS STEEL 316
FIXING SCREW



CV-F02

10g SQUARE DRIVE STAINLESS STEEL 316
FIXING SCREW



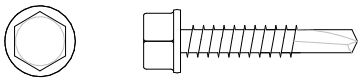
CV-F03

8g x 50mm SQUARE DRIVE SELF TAPPERS
STAINLESS STEEL 316 FIXING SCREW



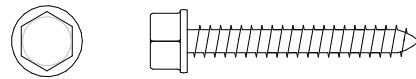
CV-F04

HEX DRIVE, UNC THREAD STAINLESS
STEEL 316 SOCKET CAP SCREW



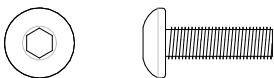
CV-F05

12g x 25mm HEX FLANGE STAINLESS
STEEL 316 SELF DRILLING SCREW



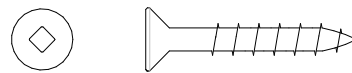
CV-F06

12g x 35mm HEX FLANGE TYPE 17
STAINLESS STEEL 316 FIXING SCREW



CV-F07

M6 x 12mm HEX DRIVE STAINLESS STEEL
316 SOCKET SCREW



CV-F08

10g x 32mm COUNTER SUNK SQUARE
DRIVE STAINLESS STEEL 316 FIXING
WOOD SCREW

NOTE: Recommended roof pitch 5°. Minimum roof pitch of 3°, consult your PSP agent for suitable applications.

NOTE: All dimensions are in millimeters (mm)

ClearVue

MECHANICAL FIXINGS

320 Rosedale Road, Albany, Auckland, New Zealand
PO Box 101 851 NSMC, New Zealand
Note: Details may be subject to change without notification

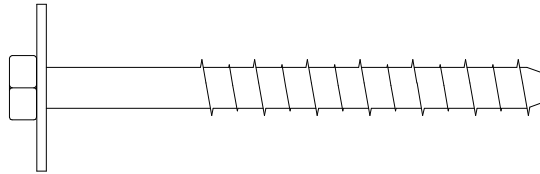
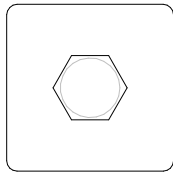
T.09 415 2800
F.09 415 2809
www.psp.co.nz

ClearVue roofing system to be installed and fixed to suitable structural support, complying with relevant clauses of the NZBC and the New Zealand Building Act.

Scale: 1 : 1 @ A4

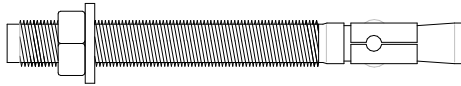
Date: 27/05/14

Dwg: **CV-06**



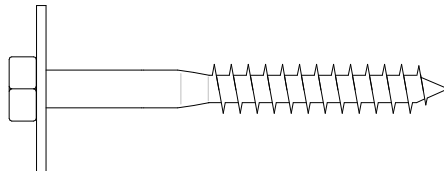
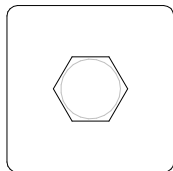
CV-F09

M12 x 150mm GALVANISED FORTRESS
SCREW BOLT WITH GALVANISED M12
SQUARE WASHER



CV-F10

M12 x 135mm STAINLESS STEEL 316
THROUGH BOLT WITH STAINLESS STEEL
316 ROUND WASHER



CV-F11

FIXING - PSP M12 STAINLESS STEEL 316
COACH SCREW WITH STAINLESS STEEL
316 M12 SQUARE WASHER

NOTE: Recommended roof pitch 5°. Minimum roof pitch of 3°, consult your PSP agent for suitable applications.

NOTE: All dimensions are in millimeters (mm)

ClearVue

MECHANICAL FIXINGS

320 Rosedale Road, Albany, Auckland, New Zealand
PO Box 101 851 NSMC, New Zealand
Note: Details may be subject to change without notification

T.09 415 2800
F.09 415 2809
www.psp.co.nz

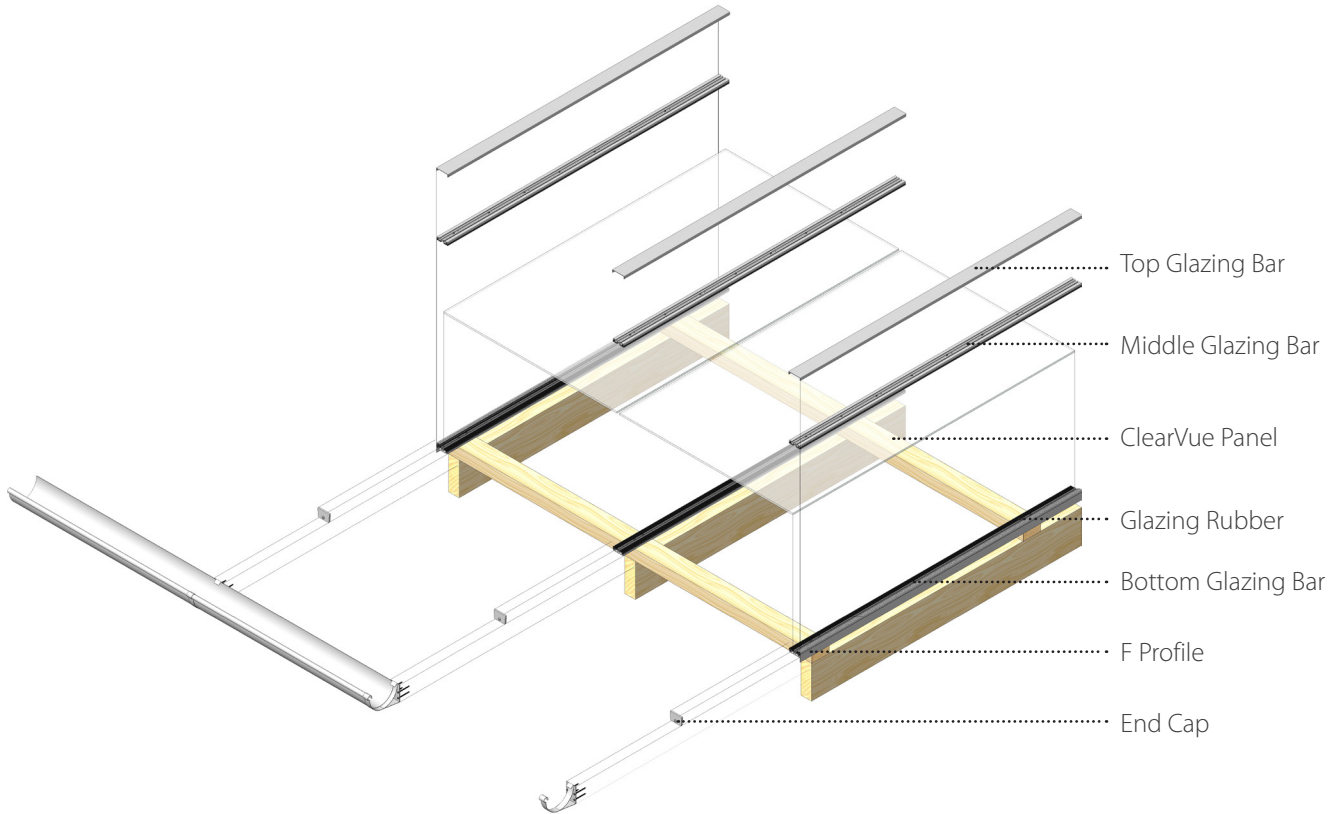
ClearVue roofing system to be installed and fixed to suitable structural support, complying with relevant clauses of the NZBC and the New Zealand Building Act.

Scale: 1 : 2 @ A4

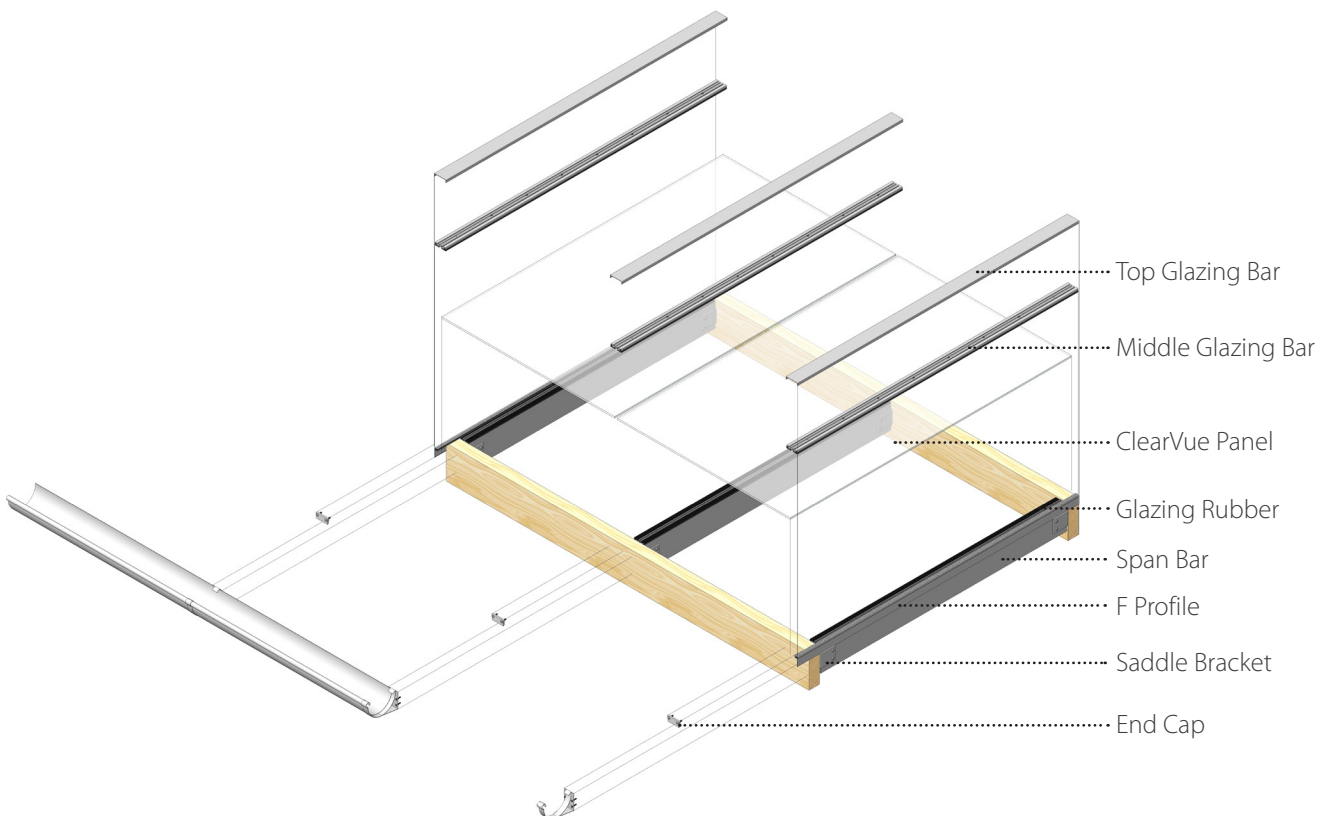
Date: 27/05/14

Dwg: **CV-07**

Rafter Components



Span Bar Components

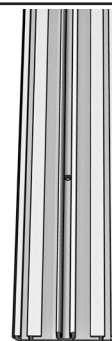


ClearVue Roofing System Installation Instructions for Rafters

Step 1:

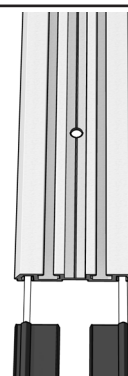
Insert rubber gaskets into the top glazing bars

Measure 100mm from one end of the bottom glazing bar and drill a 5mm hole using the narrow line in the centre of the bar as a guide. REPEAT AT OTHER END.

**Step 2:**

IF YOU INTEND TO INSTALL A GUTTER ALLOW THE GLAZING BAR TO OVERHANG THE END OF YOUR ROOF BY AT LEAST 50MM.

Insert rubber gaskets into the bottom glazing bars.

**Step 3:**

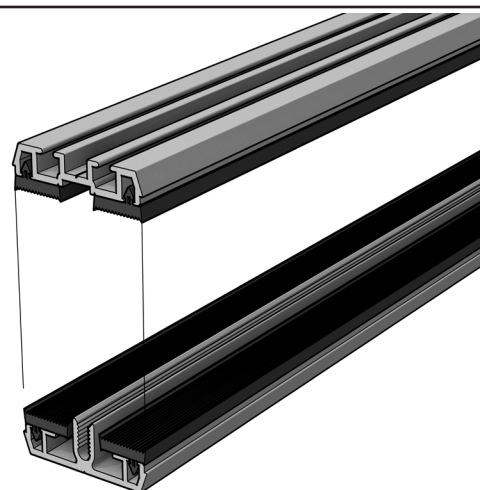
JOIN THE TOP AND BOTTOM GLAZING BARS TOGETHER WITH TAPE. MAKE SURE THE ENDS ARE ALIGNED PERFECTLY.

Step 1. Using a 2mm pilot, drill completely through the taped bars every 300mm along the full length.

DRILL THE FIRST HOLE 70MM FROM THE END OF THE BAR.

Step 2. Using these holes as a guide, drill a 5mm hole firstly through the top glazing bar, then turn over and repeat on the bottom glazing bar.

TIP: THIS IS EASIER THAN TRYING TO DRILL THE 5MM HOLES ALL THE WAY THROUGH THE ALUMINIUM IN ONE STEP.

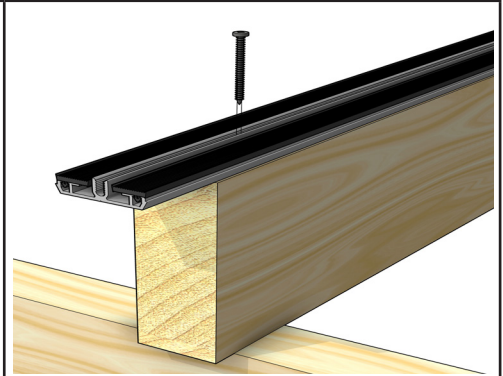


ClearVue Roofing System Installation Instructions for Rafters

Step 4:

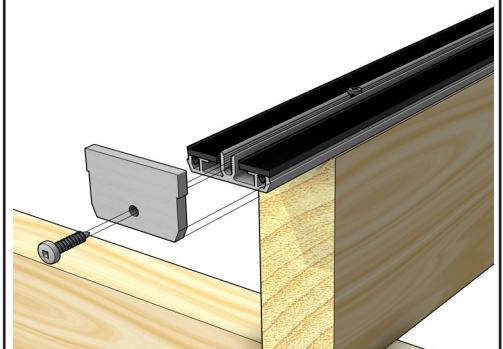
Untape the glazing bars to start installation on the roof.

Using 50mm screws fix the bottom glazing bars to the rafters in the pre-drilled holes 100mm from each end.

**Step 5:**

Fit the end cap to the end of the glazing bars at the gutter end, using the screw provided.

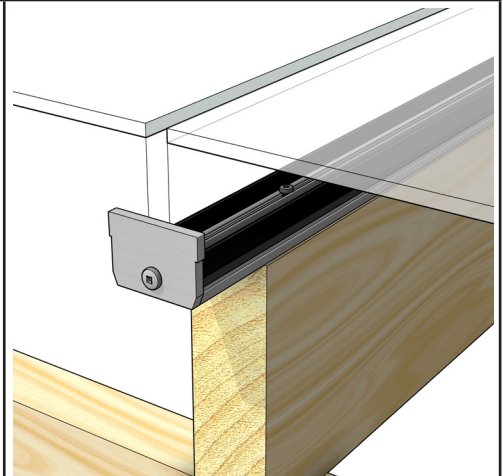
CHECK: That the bottom of end cap lines up with the bottom edge of the glazing bar.

**Step 6:**

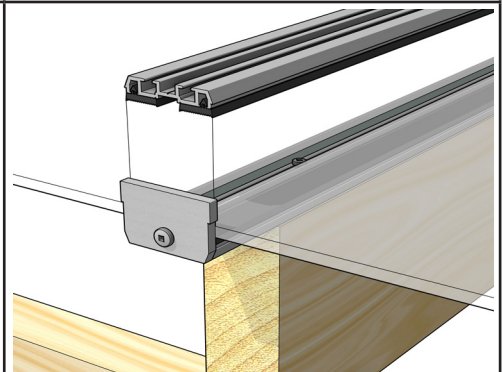
Peel 50mm of the protective masking away from the long sides of each panel (on both sides).

TIP: Leave the rest of the masking until the job is complete to avoid damage.

Place 2 ClearVue panels on the bottom glazing bar. Use the 2mm spacers provided to ensure that the panel is in the correct position.

**Step 7:**

Position the top glazing bar in place ensuring that the panels are hard against the edge of the end cap.

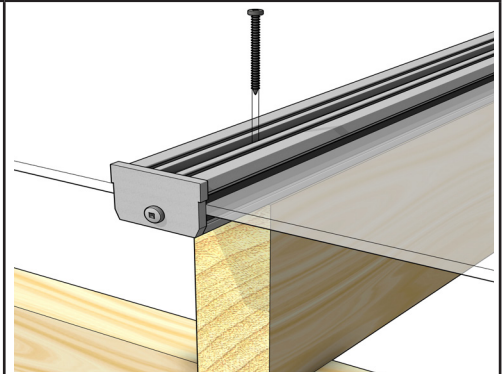


ClearVue Roofing System Installation Instructions for Rafters

Step 8:

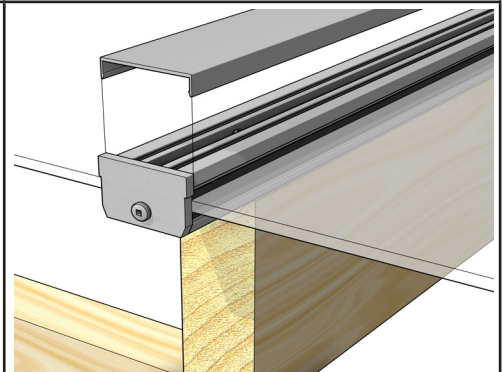
Fix with 50mm screws into pre-drilled holes at 300mm centers.

IMPORTANT: Do not over tighten the screws as this may cause the panels to bow.

**Step 9:**

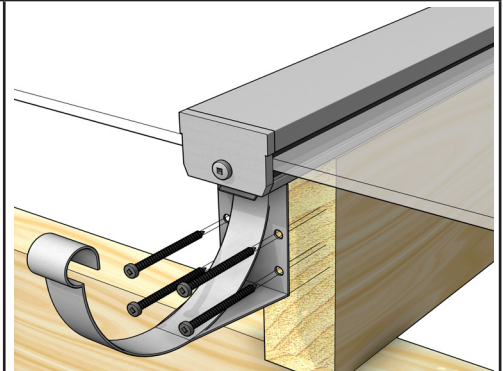
Clip on the top cover as you go (tap with rubber mallet until it clicks into place).

ONCE THE FIRST TWO PANELS ARE INSTALLED, SECURE AND COMPLETE ONE PANEL AT A TIME. ALWAYS START INSTALLATION AT THE CENTRE OF YOUR ROOF!

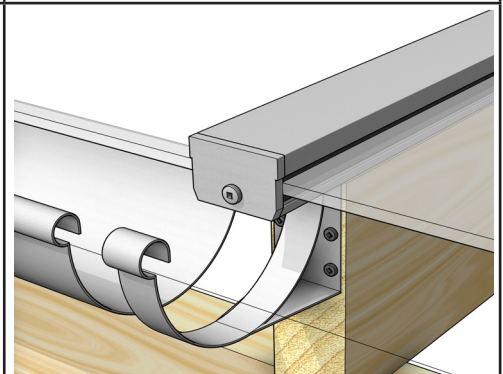
**Step 10:**

OPTION: To install a gutter.

Install the ClearVue roof with a minimum of 50mm overhang from the end of the roof. Attach the gutter brackets as per the instructions supplied.

**Step 11:**

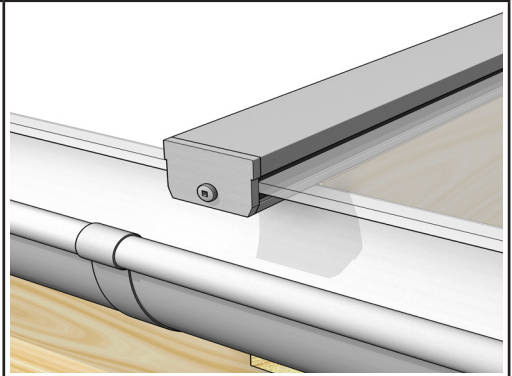
Clip in gutter.



ClearVue Roofing System Installation Instructions for Rafters

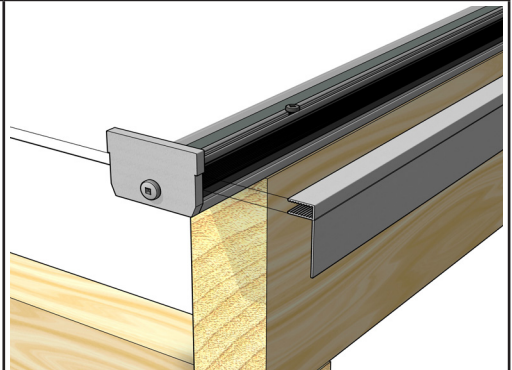
Step 12:

Connect to downpipes as required.

**Step 13:**

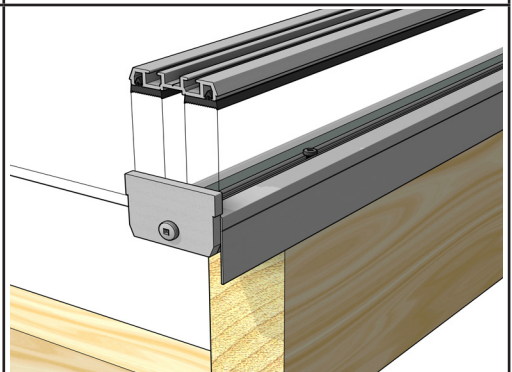
OPTION: To finish the end of the roof without a panel or against the building.

Remove the bottom rubber gasket only from the side where you will install an F Section.

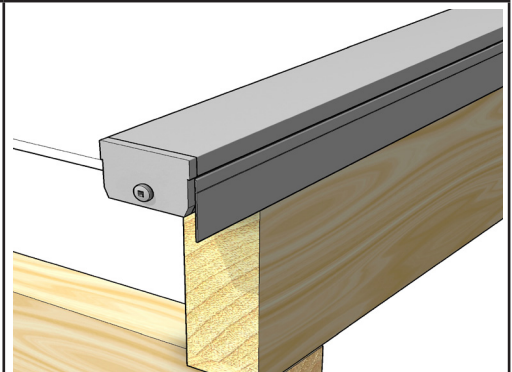
**Step 14:**

Place one panel and an F section into the bottom glazing bar, where the roof will finish.

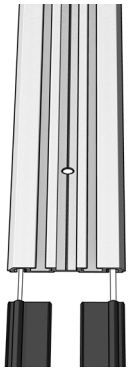
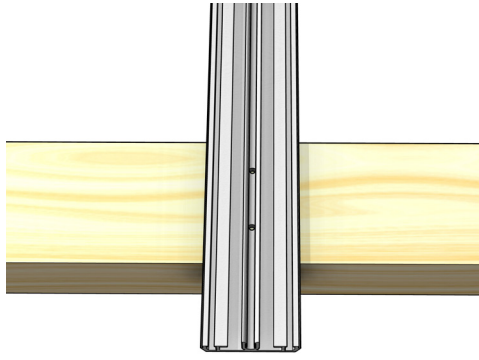
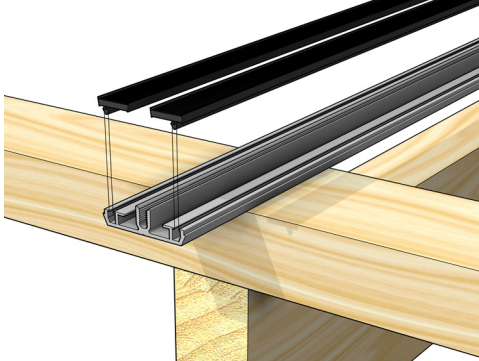
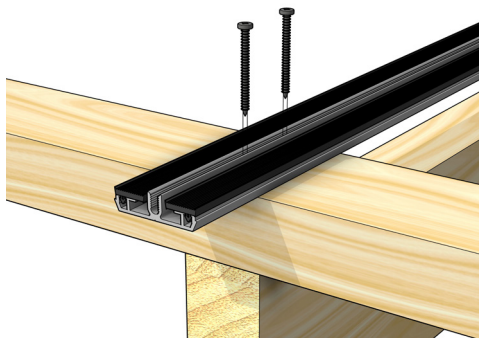
Position Glazing Bar in place and secure using the 50mm screws as previously.

**Step 15:**

Clip on the top cover (tap with rubber mallet until it clicks into place).

**Step 16:**

Completely remove all remaining protective masking from the top and bottom of the ClearVue panels.

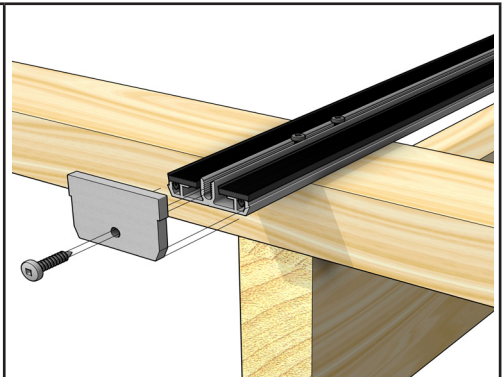
<p>Step 1: Insert rubber gaskets into the top glazing bars Pre drill 5mm holes in the top glazing bar every 150mm. (Start the first hole at least 30mm from the end of bar)</p>	
<p>Step 2: IF YOU INTEND TO INSTALL A GUTTER ALLOW THE GLAZING BAR TO OVERHANG THE END OF YOUR ROOF BY AT LEAST 50MM.</p>	
<p>Step 3: Insert rubber gaskets into the bottom glazing bars.</p>	
<p>Step 4: Using the narrow line in the centre of the glazing bar as a guide, fix the bottom glazing bar to the purlin with 2 x 8g 50mm screws. IMPORTANT : Start fixing at the centre of your roof!</p>	

ClearVue Roofing System Installation Instructions for Purlins

Step 5:

Fit the end cap to the end of the glazing bars at the gutter end, using the screw provided.

CHECK: That the bottom of end cap lines up with the bottom edge of the glazing bar.



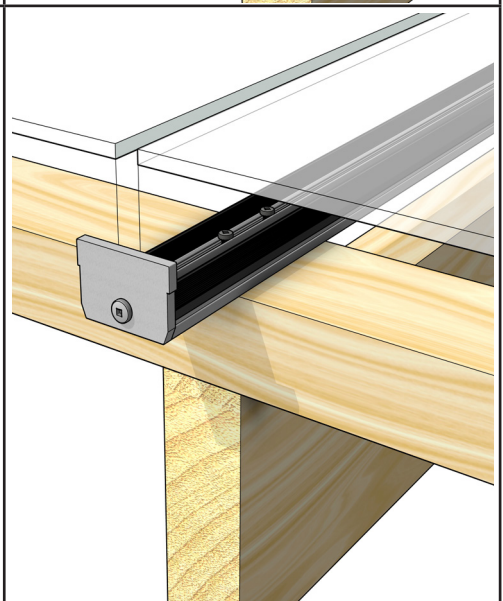
Step 6:

Peel 50mm of the protective masking away from the long sides of each panel (on both sides).

TIP: Leave the rest of the masking until the job is complete to avoid damage.

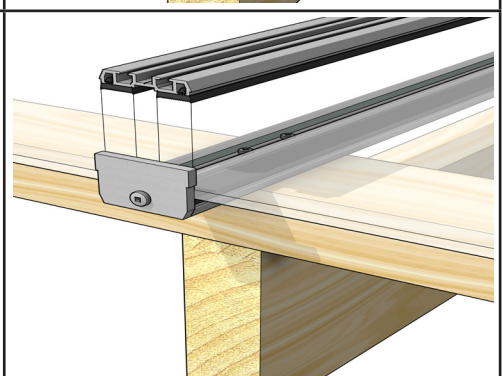
Place 2 ClearVue panels on the bottom glazing bar. Use the 2mm spacers provided to ensure that the panel is in the correct position.

CHECK: That the bottom of the panel is hard against the edge of the end cap.



Step 7:

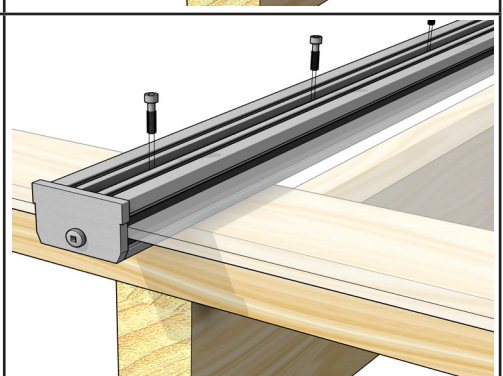
Position the top glazing bar in place and secure using the cap screws.



Step 8:

Fix at 150mm centers into the pre-drilled holes.

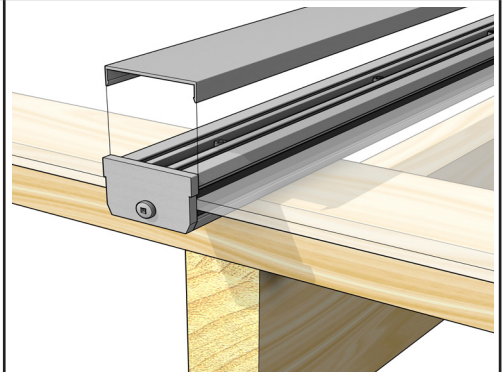
IMPORTANT: Do not over tighten screws as this may cause sheets to bow.



ClearVue Roofing System Installation Instructions for Purlins

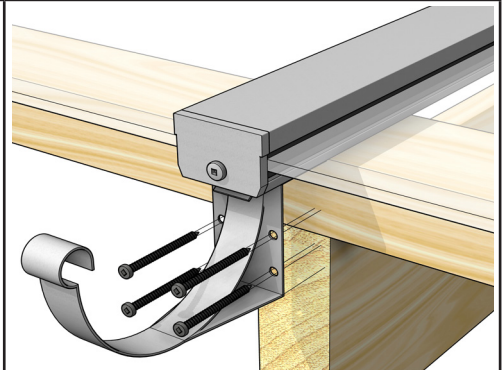
Step 9:

Clip on the top cover as you go (tap with rubber mallet until they click into place).

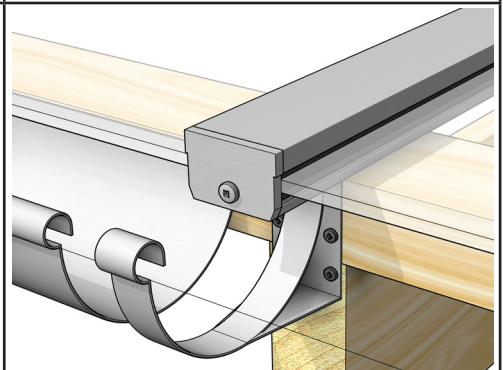
**Step 10:**

OPTION: To install a gutter.

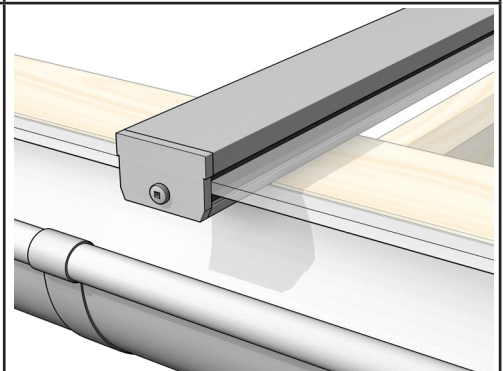
Install the ClearVue roof with a minimum of 50mm overhang from the end of the roof.
Attach the gutter brackets as per the instructions supplied.

**Step 11:**

Clip in gutter.

**Step 12:**

Connect to downpipes as required.

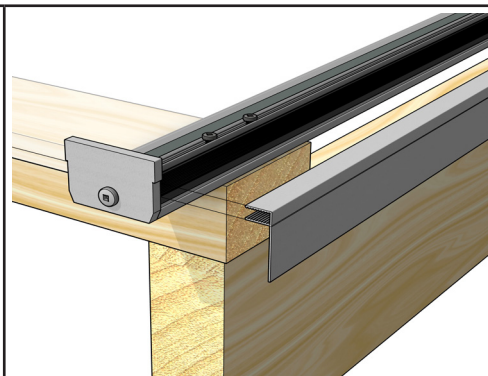


ClearVue Roofing System Installation Instructions for Purlins

Step 13:

OPTION: To finish the end of the roof without a panel or against the building.

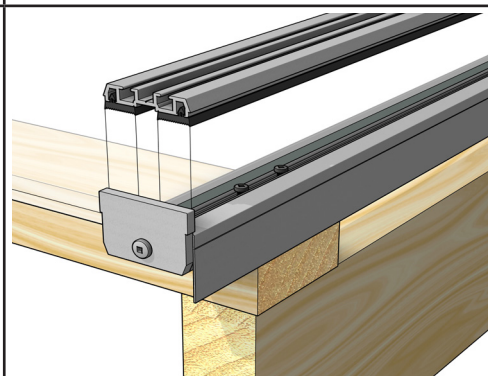
Remove the bottom rubber gasket only from the side where you will install an F Section.



Step 14:

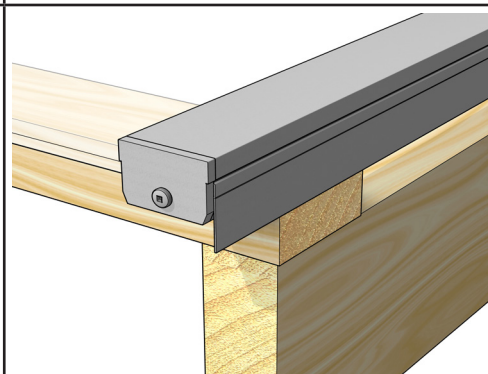
Place one panel and an F section into the bottom glazing bar, where the roof will finish.

Position Glazing Bar in place and secure using the cap screws as previously.



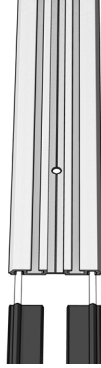

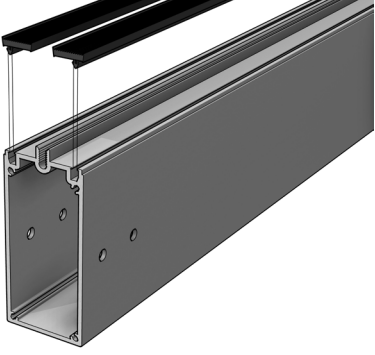
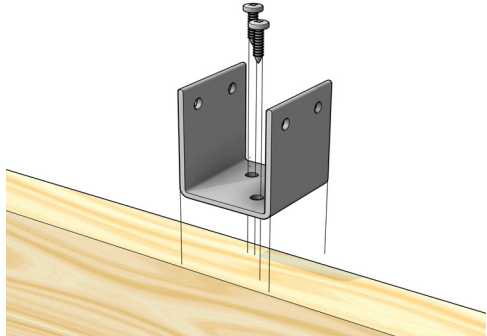
Step 15:

Clip on the top cover (tap with rubber mallet until it clicks into place).



Step 16:

Completely remove all remaining protective masking from the top and bottom of the ClearVue panels.

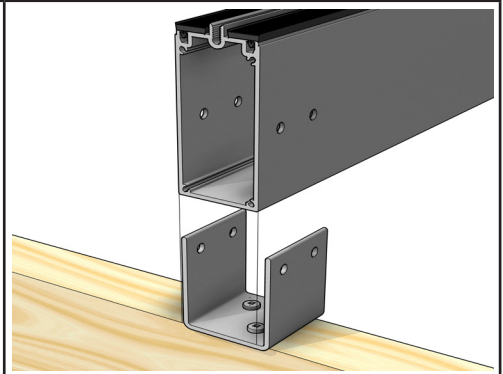
<p>Step 1: Insert rubber gaskets into the top glazing bars. Pre drill 5mm holes in the top glazing bar every 150mm.</p> <p>(Drill the first hole a minimum of 70mm from the end to allow for gutter installation).</p>	
<p>Step 2: IF YOU INTEND TO INSTALL A GUTTER ALLOW THE TOP GLAZING BAR TO OVERHANG THE END OF YOUR SPANBAR BY AT LEAST 50MM.</p> <p>PRE-DRILL EXTRA HOLES IN THE BOTTOM END CAP FOR FIXING THE GUTTER BRACKETS AS REQUIRED.</p>	
<p>Step 3: Insert rubber gaskets into Span Bar.</p> <p>Mark hole positions for the selected rafter brackets on the sides of the Span Bar and pre drill 6mm holes to suit.</p>	
<p>Step 4: FIX THE SELECTED RAFTER BRACKETS TO THE ROOF STRUCTURE USING THE SCREWS PROVIDED.</p> <p>Option 1: D Bracket (as pictured) Option 2: Two Piece Rafter Bracket (see Technical Details)</p>	

ClearVue Roofing System

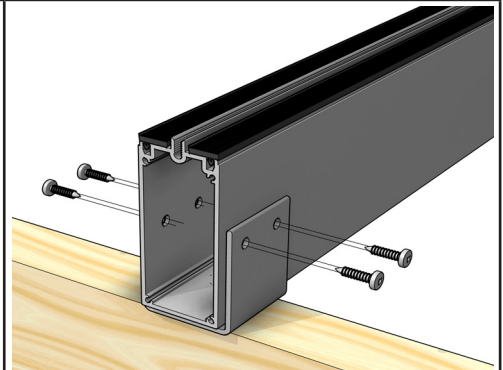
Installation Instructions for Span Bar

Step 5:

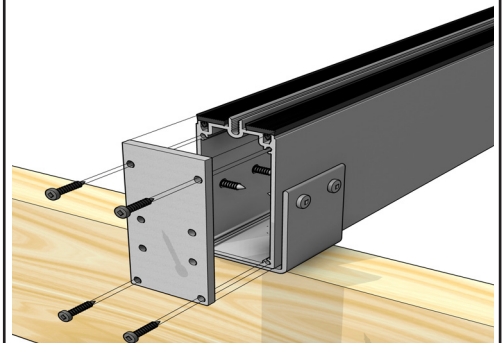
Fit the Span Bars into the Brackets at both ends.

**Step 6:**

Screw through the sides of the brackets into the pre-drilled holes using the screws provided.

**Step 7:**

Fix the Bottom Split End Cap in place using the screws provided.

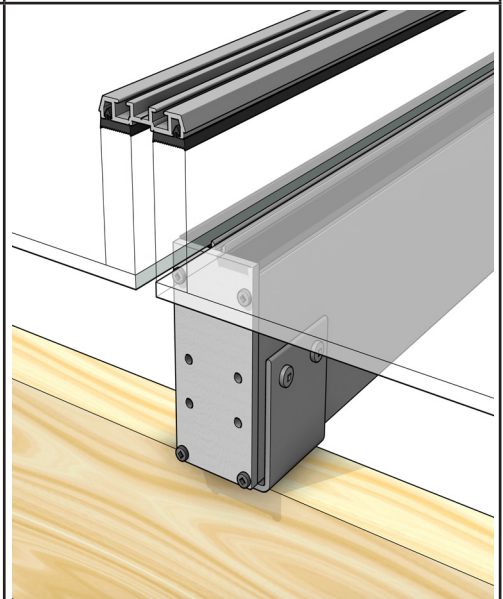
**Step 8:**

Peel 50mm of the protective masking away from the long sides of each ClearVue panel (on both sides).

TIP: Leave the rest of the masking until the job is complete to avoid damage.

Place 2 panels onto the Span Bar. Use the 2mm spacers provided to ensure that the panel is in the correct position.

Position the panels so they line up with the edge of the Top Glazing Bar.

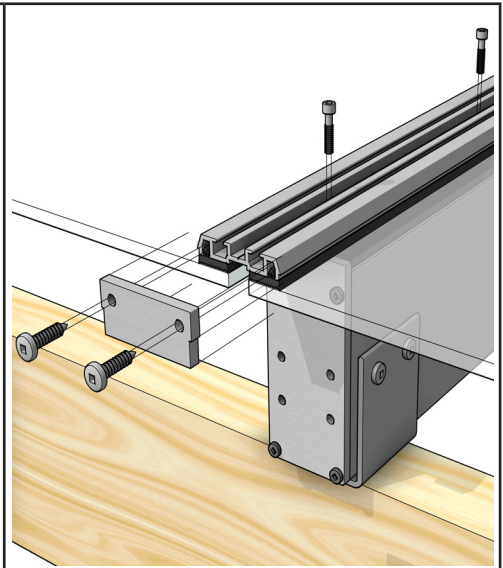


Step 9:

Position the top glazing bar in place and secure using the cap screw.
Fix at 150mm centers into the pre-drilled holes.

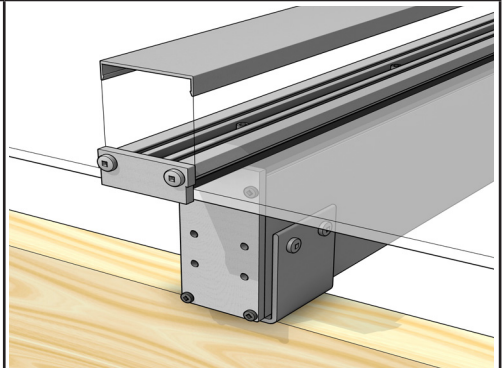
ONCE THE FIRST TWO PANELS ARE INSTALLED, SECURE AND COMPLETE ONE PANEL AT A TIME. ALWAYS START INSTALLATION AT THE CENTRE OF YOUR ROOF!

Install Span Bar Top Split End Cap using screws provided.



Step 10:

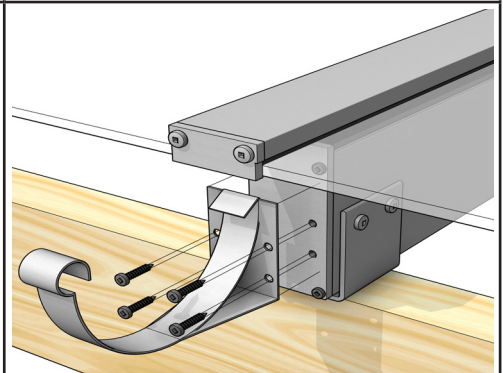
Clip on the top cover as you go. (tap with rubber mallet until it clicks into place)



Step 11:

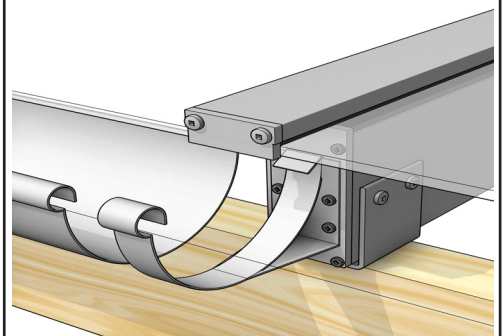
OPTION: To install a gutter.

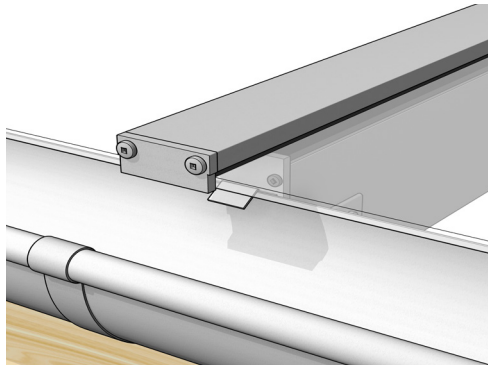
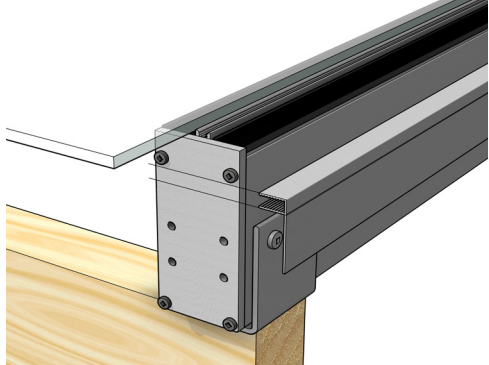
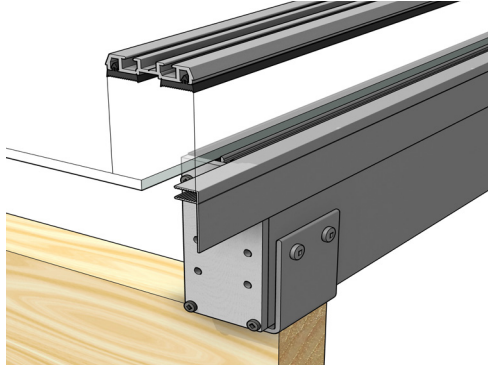
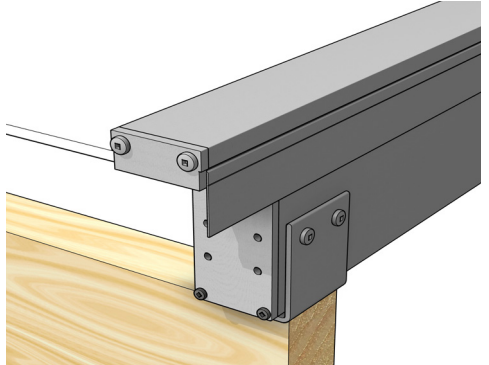

Install the ClearVue roof with a minimum of 50mm overhang from the end of the roof.
Attach the gutter brackets as per the instructions supplied.



Step 12:

Clip in gutter.



<p>Step 13: Connect to downpipes as required.</p>	
<p>Step 14: OPTION: to finish the end of the roof without a panel or against the building. Remove the bottom rubber gasket only from the side where you will install an F Section.</p>	
<p>Step 15: Place one panel and an F section into the bottom glazing bar, where the roof will finish. Position Glazing Bar in place and secure using the cap screws as previously.</p>	
<p>Step 16: Clip on the top cover. (tap with rubber mallet until it clicks into place)</p>	
<p>Step 17: Completely remove all remaining protective masking from the top and bottom of the ClearVue panels.</p>	

HANDLING & STORAGE

Once delivered to site, it is important to handle and store the ClearVue panels with care until they are installed into position on the roof.

The panel should be covered and not left exposed to the sunlight for prolonged periods. The Panels should be stored horizontally, on a flat surface with the largest panels on the bottom. Stacking the panels vertically is not recommended.

CUTTING INSTRUCTIONS

IMPORTANT NOTE: When using machinery always read follow the instructions provided. Work safely and keep work areas clean and hazard free at all times.

CLEARVUE PANELS

PSP recommend Irwin Marathon PVC cutting blades when using a skill saw to cut ClearVue Panels.

However, most circular saws are suitable for cutting ClearVue panels to size. Multi-tooth carbide blades are most suitable. The panels should be secured against flutter. It is best to work with a stop, such as a wooden bar, to prevent the saw from tilting and causing an accident or damaging the cut edge of the sheet.



CLEARVUE GLAZING BARS & SPAN BARS

ClearVue Roofing Bars can be cut using either a hacksaw with a metal blade or with a drop saw with a suitable aluminium blade inserted. Ensure that any swarf or sharp burrs are removed prior to installation.

ClearVue Panels have a smooth non-porous surface that is retained even after long term outdoor exposure.



The ClearVue System requires minimal maintenance, given adequate roof pitch. The rain will generally wash off any soiling or debris. Should cleaning be necessary use a high pressure hose with a small amount of household dish-washing liquid.

NEVER USE: Strong industrial or abrasive cleaning agents, insecticides, window cleaning sprays, kitchen scouring components or solvents such as acetone, gasoline, benzene, alcohol, carbon tetrachloride, lacquer thinner or other corrosive agents.

These can permanently damage the ClearVue Panel surface and/or weaken the sheet causing small surface cracks called "crazing".

SUITABLE CLEANING AGENTS INCLUDE:

- Lukewarm water with a little added dish-washing liquid.
- Concentrated vinegar diluted with water
- Isopropyl alcohol
- Pure naphtha
- A soft, damp viscose sponge or non-linting cloth
- A sponge cloth
- Chamois leather
- Glove-lining fabric
- Cotton dishcloth
- Shower squeegee with soft rubber blade
- Damp microfibre polishing cloth (e.g. Vileda*, microclean)
- PSP Cleaner and Cleaning Cloth

If the ClearVue Roofing system is damaged due to use of inappropriate cleaning agents or methods, then any warranties given may be deemed invalid.

Warranty

PSP Limited warrants that the ClearVue Roofing System will remain free of defects in material and manufacture for a period of 15 years from the date of purchase.

In the event of any failure of the Product caused by the direct result of a defect in the material or manufacture of the Product, PSP Limited will at its option replace or repair, supply an equivalent product, or pay for doing one of these.

The warranty does not apply where the Product has been used in a manner not in accordance with the Manufacturer's instructions, nor the reuse of the Product after it has been installed. The installation and maintenance must be done in accordance with the latest version of the Technical Manual, which can be found on the PSP Limited website, or by contacting 0800 786 883. Where any components or parts of the system have been substituted, the warranty may not apply. The project must be designed and built in accordance with all relevant provisions of the New Zealand Building Code, regulations and standards.

Any products used in conjunction with or applied to the ClearVue Roofing System must be used in accordance with the manufacturers' instructions or permission and good trade practice. PSP Limited will need to be satisfied that any defect in the ClearVue Roofing System is attributable to material or manufacture defects and not any other cause before any warranty can be claimed.

To the extent allowable, PSP Limited excludes all liability for loss and damage (including consequential loss) in connection with the Product. PSP Limited will not be liable for any claims, damages or defects arising from or in any way attributable to poor workmanship, poor design or detailing, settlement or structural movement and/or movement of materials to which the Product is attached, incorrect design of the structure, high levels of pollution, acts of God including but not limited to earthquakes, cyclones, floods or other severe weather conditions, or normal wear and tear.

Subject to the limitations in the Commerce Act 1986, the Fair Trading Act 1986, the Consumer Guarantees Act 1993 and any other applicable legislation, PSP Limited excludes all other warranties, guarantees and remedies with regard to the Product including all implied warranties and guarantees.

Notification of any warranty claim must be made to PSP Limited within 30 days of the defect becoming apparent. Failure to allow PSP Limited to examine an alleged faulty Product may result in the voiding of the warranty. The warranty is non-transferable.

To make a claim under this warranty, you must contact PSP Limited on 0800 786 883 or info@psp.co.nz. All related costs of claiming the warranty will be borne by the claimant. PSP Limited may request written documentation in support of the warranty claim.